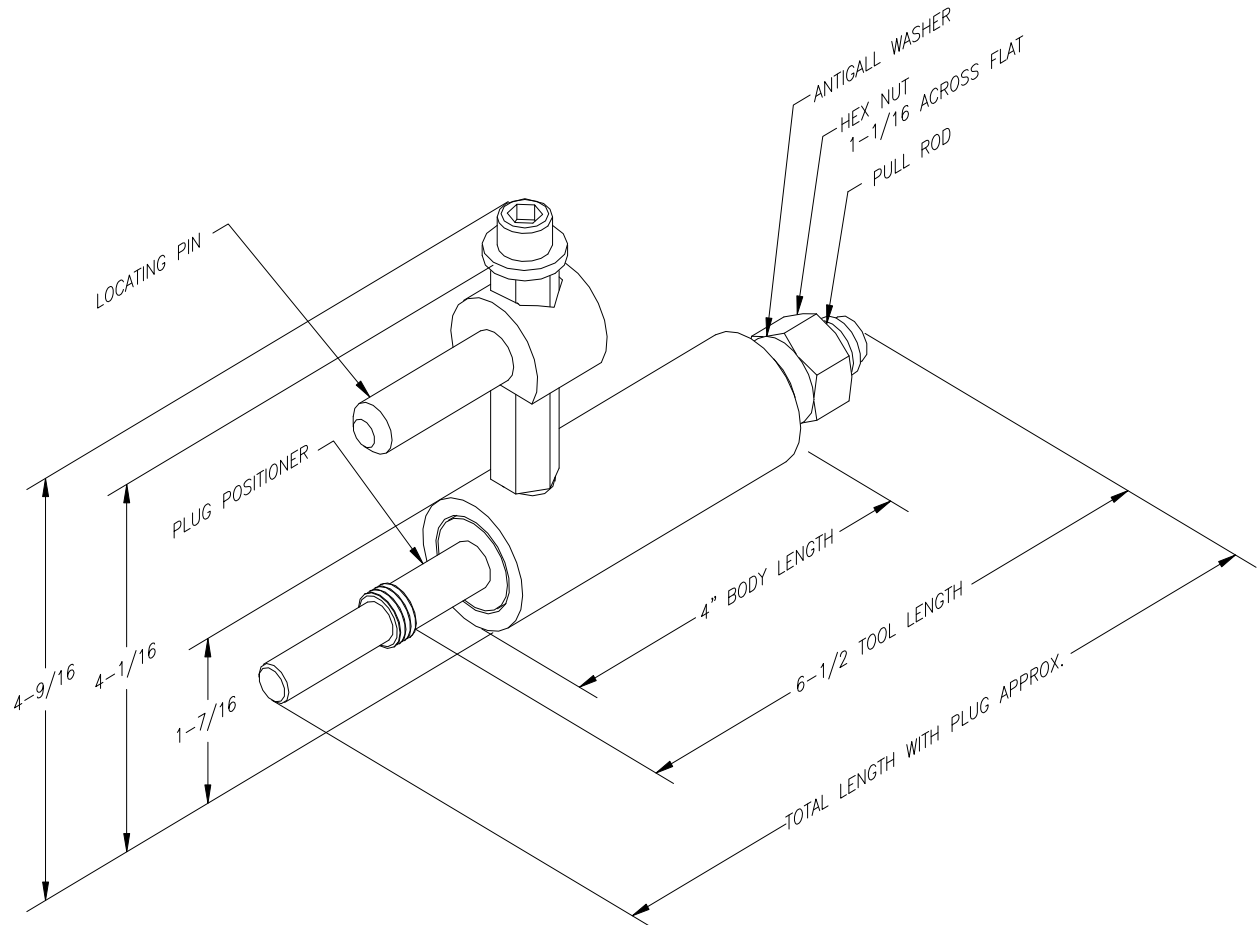


MANUAL TOOL DIMENSIONAL DRAWING

CPI/PERMA PLUG SIZE	TOTAL LENGTH WITH PLUG
.512-.524	7 13/16
.471-.491, .584, .649, .712, .774, .837, .899, .962, 1.024, 1.087, 1.149	7 7/8
.555	7 15/16
.621	8 1/8
.670, .735	8 3/16
.804, .853, .919	8 1/4
.979	8 3/8
1.054, 1.103	8 7/16
P2 PLUG SIZE	TOTAL LENGTH WITH PLUGS
.400 - 1.160	8 3/8



EST Group
2701 Township Line Rd
Hatfield, PA 19440-1770 USA
(P) 215.721.1100
800.355.7044
(F) 215.721.1101
est-info@curtisswright.com
http://estgroup.cwfc.com

Europe / Middle East / Africa
EST Group B.V.
Hoon 312a
2404 HL Alphen aan den Rijn
The Netherlands
(P) +31.172.418841
(F) +31.172.418849
est-emea@curtisswright.com

Asia
EST Group Asia
35 Tannery Rd, #11-10 Tannery Block
Ruby Industrial Complex
Singapore 247740
(P) +65.6745.8560
(F) +65.6742.8700
est-asia@curtisswright.com