

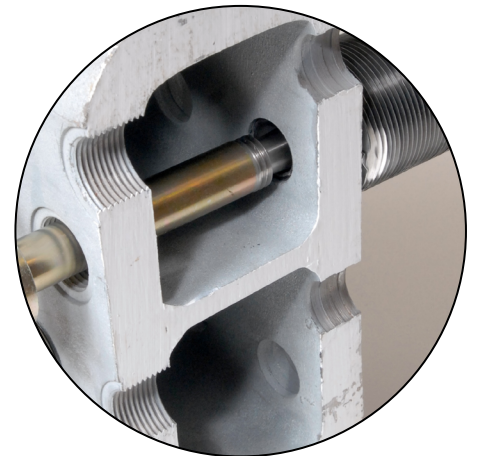
ACHE Adapter for Smart Ram

Installing Pop-A-Plug Tube Plugs in ACHE Units Has Never Been Easier!

Stop trying to weld-in or friction fit tapered pins through header boxes to plug leaking tubes in your Air Cooled HX units! Not only are these methods dangerous, they're also expensive and time-consuming. Additionally, ASME PCC-2 Article 312-4.2 stipulates that friction fit tapered plugs should not be used in applications exceeding 200 PsiG (13.8 BarG). Instead, simply attach the ACHE Pull Rod Assembly Adapter to our patented Smart Ram 640T Hydraulic Installation Tool and start plugging! No more welding or air hoses to trip over.

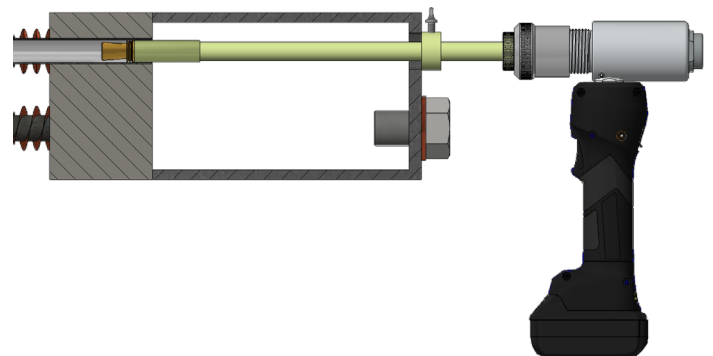
Benefits

- **Safe** – installed plugs will not leak or eject under pressure
- **Convenient** – no hot work permits, or welding required
- **Fast** – return units to service as fast as 1/10th the time of welding
- **Portable** – ideal for remote work locations, no electric/air supply needed
- Provides ASME PCC-2 compliant tube repair solution
- Eliminates tripping hazards
- No damage to header box plug threads, tubes, tube joints or tubesheets
- Stand-Off ring allows for precise and uniform plug installation
- No foreign material (Breakaway) left after installation
- Lowest installed cost compared to conventional plugging methods



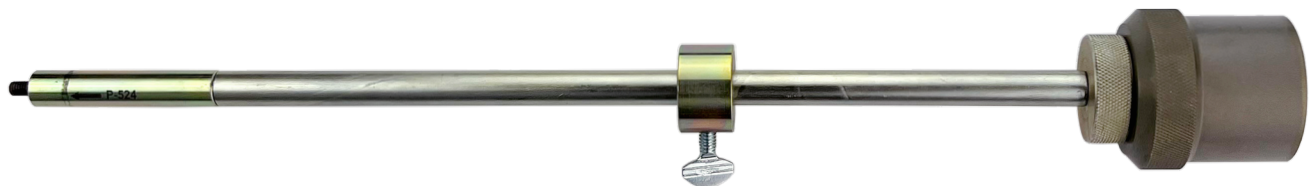
Features

- Working pressures to 7000 PsiG (480 BarG)
- Helium leak tight to 1×10^{-10} cc/sec
- 12" (30 cm) extension length



Size Range Capability

- Pop-A-Plug® CPI/Perma Plugs: V471 to V1212
– Tube ID: 0.472" to 1.336" (11.99 mm - 33.93 mm)
- Pop-A-Plug® P2 Plugs: P2400 to P21160
– Tube ID: 0.400" to 1.180" (10.19 mm - 29.99 mm)



For additional installation & sizing information, please reference:

- [DC1232-Smart Ram ACHE Adapter Operating Procedures](#)
- [DC1230-Smart Ram SR0640T Operating Procedures](#)

Full ACHE PRA Adapter, configured for V-524 plugs